

RELAX

BLAM

FRENCH SOUND

Driven by passion.

165 RWF

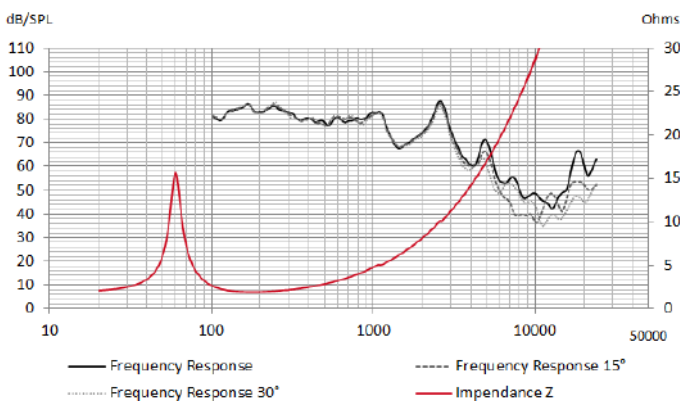
Speaker

- 165 mm 6.5'' extra flat woofer
- Max. power 100 W - RMS Power: 50 W
- Frequency response: 60 Hz - 1 kHz
- Impedance 2 Ω
- Mounting depth 32.5 mm

TECHNICAL SPECIFICATIONS

Component	Speaker	
Max power	100 W	
Nominal power	50 W	
Impedance	2 Ω	
Freq. Response	60 Hz - 1 kHz	
Sensitivity (2,83V/1m)	89.3 dB	
Magnet	Neodymium	
Magnet size \varnothing x h	34.5 x 7 mm	1.358'' x 0.276''
Total driver displacement	0.11 l	0.004 cf
Weight of one component	0.402 kg	0.886 lb
Voice coil \varnothing	36 mm	1.398''
Voice coil height	10 mm	0.394''
Cone	Fiberglass	

FREQUENCY RESPONSE / IMPEDANCE

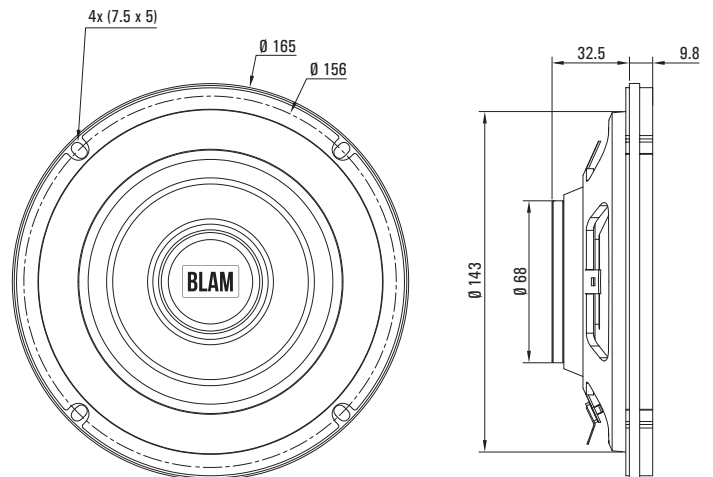


SEALED ENCLOSURE

Internal volume Vb	F-3dB	Boost
5 L	65 Hz	1.7 dB at 111 Hz
10 L	60 Hz	0.9 dB at 111 Hz
15 L	58 Hz	0.6 dB at 114 Hz



Unit : mm



THIELE-SMALL PARAMETERS

effective \varnothing (d)	120 mm
Sd	113.1 cm ²
Xmax	2.5 mm
Re	1.81 Ω
Fs	60.1 Hz
Le	779.00 μ H @ 1 kHz
L2	336.00 μ H @ 10 kHz
Vas	4.86 L
Mms	26.16 g
Cms	0.268 m/N
BL	4.52 Tm
Qts	0.773
Qes	0.874
Qms	6.685
Sensitivity (dB/ W / m)	82.87 dB

contact@blam-audio.fr
www.facebook.com/blamaudio
www.blam-audio.com