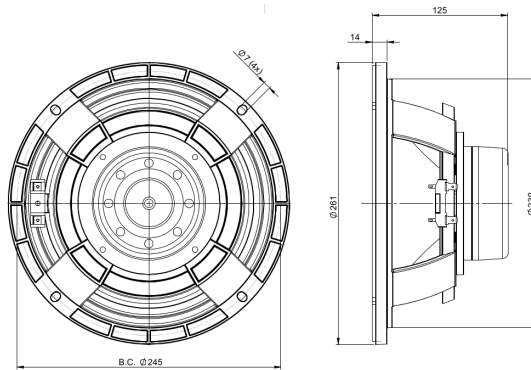


# 10MBX64

**8Ω****LF Drivers - 10.0 Inches**

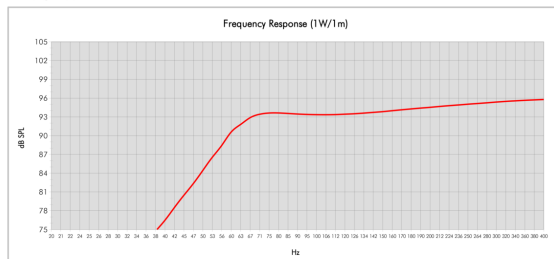
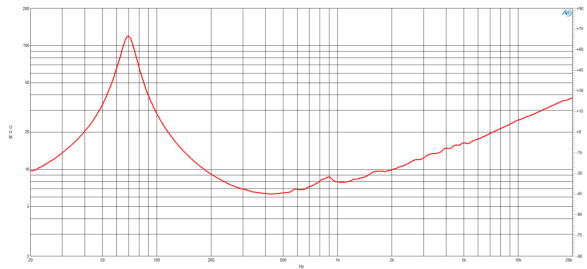
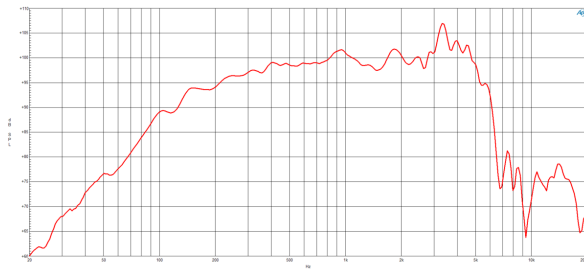
- 700 W continuous program power capacity
- 64 mm (2.5 in) aluminium voice coil
- 65 - 6000 Hz response
- 100 dB sensitivity
- Neodymium inside slug magnet assembly
- Aluminium demodulating ring allows a very low distortion figure
- Ventilated voice coil gap for reduced power compression



The MBX series mid-bass woofers from B&C Speakers offer acoustic designers a new range of high efficiency, wide bandwidth alternatives that are not currently available in the B&C range. These full-featured transducers incorporate lightweight neodymium motors, inside/outside wound copper clad aluminum wire voice coils, weatherproof impregnated paper cones, and a symmetrical inductance profile. The MBX Series is especially well suited for two-way loudspeaker enclosures.

# 10MBX64

LF Drivers- 10.0 Inches



Model: 10MBX64  
Enclosure Type: Bass Reflex Configuration: One Driver  
Internal Net Volume (liters): 26 QES: 6  
Tuning Frequency (Hz): 65 Port Area (cm<sup>2</sup>): 1131.0  
Frequency (-3 dB) (Hz): 71.1 Port Length (cm): 20.0  
Frequency (±10 dB) (Hz): 52.8

## SPECIFICATIONS

|  |                   |
|--|-------------------|
| Nominal Diameter                       | 250 mm (10.0 in)  |
| Nominal Impedance                      | 8 Ω               |
| Minimum Impedance                      | 6.5 Ω             |
| Nominal Power Handling <sup>1</sup>    | 350 W             |
| Continuous power handling <sup>2</sup> | 700 W             |
| Sensitivity (1W/1m) <sup>3</sup>       | 100.0 dB          |
| Frequency Range                        | 65 - 6000 Hz      |
| Voice Coil Diameter                    | 64 mm (2.5 in)    |
| Winding Material                       | Aluminium         |
| Former Material                        | Glass Fibre       |
| Winding Depth                          | 12.0 mm (0.47 in) |
| Magnetic Gap Depth                     | 8.0 mm (0.31 in)  |
| Flux Density                           | 1.25 T            |

## DESIGN

|                       |  |
|-----------------------|--|
| Surround Shape        | Double Roll                                  |
| Cone Shape            | Radial                                       |
| Magnet Material       | Neodymium Inside Slug                        |
| Spider                | Single                                       |
| Pole Design           | T-Pole                                       |
| Woofer Cone Treatment | Waterproof Impregnated Cone                  |
| Recommended Enclosure | 26.0 dm <sup>3</sup> (0.92 ft <sup>3</sup> ) |
| Recommended Tuning    | 65 Hz  |

## PARAMETERS<sup>4</sup>

|                     |  |
|---------------------|--|
| Resonance Frequency | 65 Hz  |
| Re                  | 5.5 Ω  |
| Qes                 | 0.27   |
| Qms                 | 5.6  |
| Qts                 | 0.26   |
| Vas                 | 28.0 dm <sup>3</sup> (0.99 ft <sup>3</sup> )   |
| Sd                  | 346.0 cm <sup>2</sup> (53.63 in <sup>2</sup> ) |
| η <sub>o</sub>      | 3.2 %  |
| Xmax                | ± 4.0 mm                                       |
| Xvar                | ± 5.5 mm                                       |
| Mms                 | 32.0 g   |
| Bl                  | 16.9 Txm                                       |
| Le                  | 0.39 mH  |
| EBP                 | 240 Hz   |

## MOUNTING AND SHIPPING INFO

|                               |   |
|-------------------------------|---|
| Overall Diameter              | 261 mm (10.28 in)                           |
| Bolt Circle Diameter          | 245 mm (9.65 in)                            |
| Baffle Cutout Diameter        | 230.0 mm (9.06 in)                          |
| Depth                         | 125 mm (4.92 in)                            |
| Flange and Gasket Thickness   | 14 mm (0.55 in)                             |
| Air Volume Occupied by Driver | 1.5 dm <sup>3</sup> (0.05 ft <sup>3</sup> ) |
| Net Weight                    | 3.25 kg (7.17 lb)                           |
| Shipping Units                | 1   |
| Shipping Weight               | 3.85 kg (8.49 lb)                           |
| Shipping Box                  | 295x314x175 mm (11.61x12.36x6.89 in)        |

## SERVICE KIT

|            |             |
|------------|-------------|
| Recone kit | RCK10MBX648 |
|------------|-------------|

B&C Speakers s.p.a.

Via Poggiomoro, 1 - Loc. Vallina, 50012 Bagno a Ripoli (FI) - ITALY - Tel. +39 055 65721 - Fax +39 055 6572312 - mail@bcspeakers.com

1. 2 hours test made with continuous pink noise signal within the range  $F_s$ - $10F_s$ . Power calculated on rated minimum impedance. Loudspeaker in free air.
2. Power on Continuous Program is defined as 3 dB greater than the Nominal rating.
3. Applied RMS Voltage is set to 2.83 V for 8 ohms Nominal Impedance.
4. Thiele-Small parameters are measured after a high level 20 Hz sine wave preconditioning test.